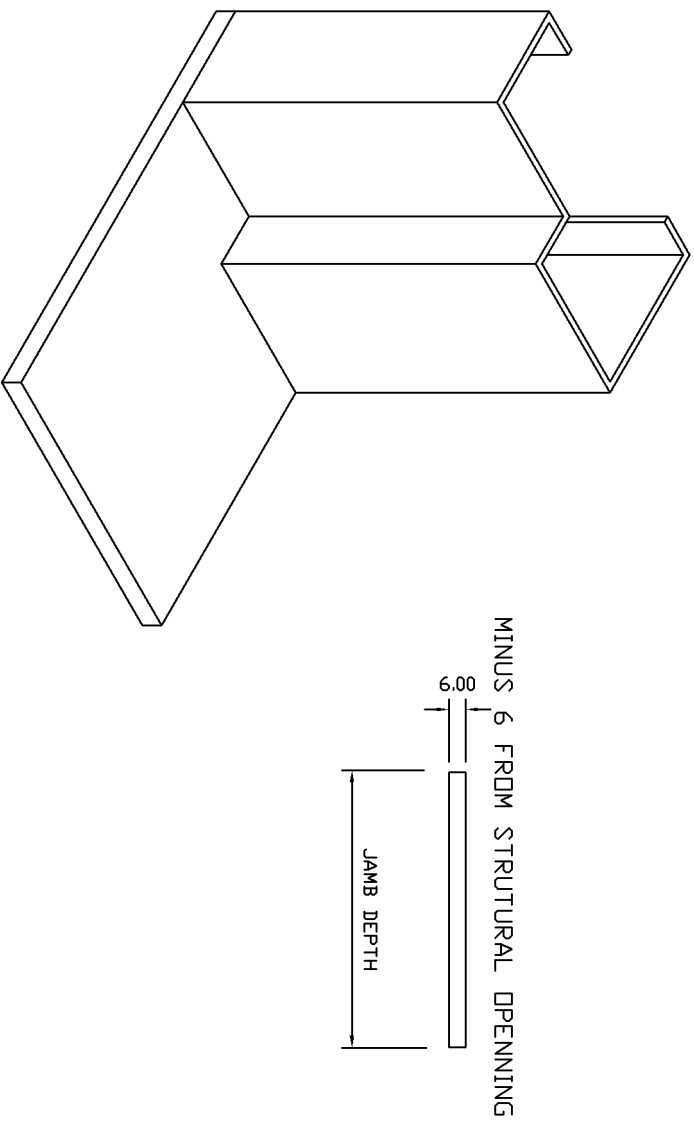


This type of cill is a 6mm flat bar cill which sits directly under the frame. This cill is particularly good when the floor isn't finished or is uneven or crumbly etc. Please note that this cill is not standard and is chargeable.



Please quote drawing ref & drawing revision number when ordering

Handings and sizes must be confirmed when ordering

VIEWED FROM

DRAWING REVISION:

HANDING:

DRAWING REF:

HANDING:

CUSTOMER:

OPENS:

DRAWN BY:

GDL

DATE:

OPENS:

E TYPE CILL